

Product Information

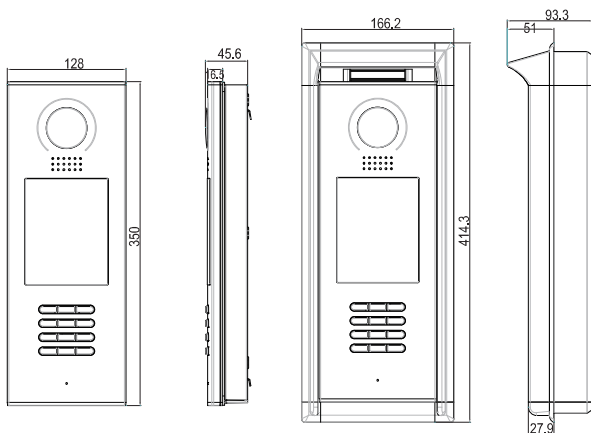
IP-MR18 Series C5 System Indoor Monitor



DESCRIPTION

C5 apartment system color ARS camera outdoor station with proximity access control

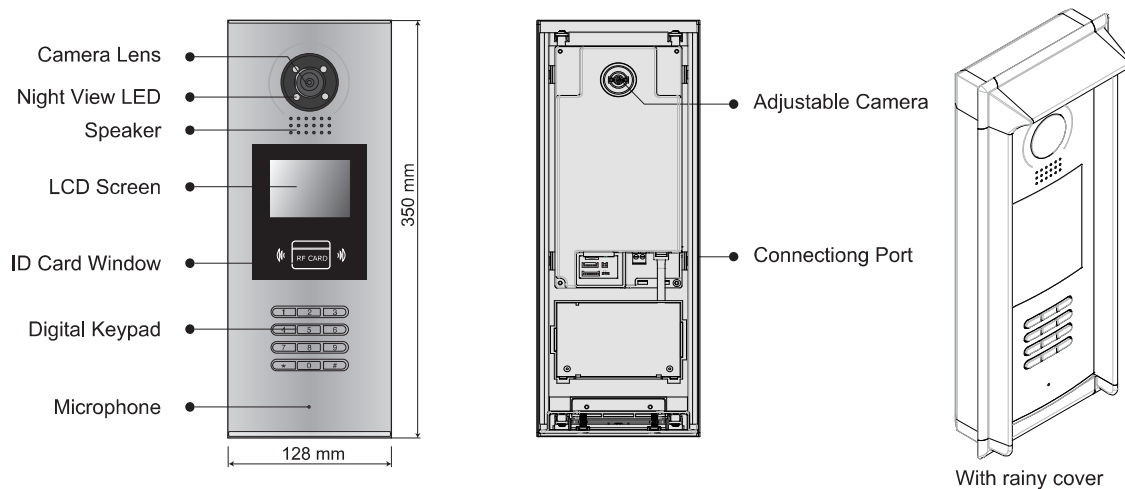
DIMENSION



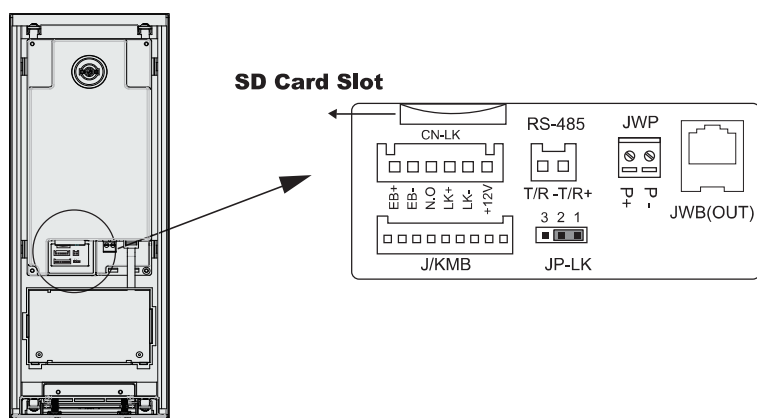
FEATURES

- ▶ Aluminum alloy panel design with keypad;
- ▶ Proximity access control;
- ▶ Powerful password access control;
- ▶ Camera's angle is adjustable;
- ▶ 3.5 inch color TFT display;
- ▶ Multi entry stations are supported;
- ▶ Night-view;
- ▶ IP 55 protection rate;
- ▶ Compatible with all C5 system models

1. Parts and Functions

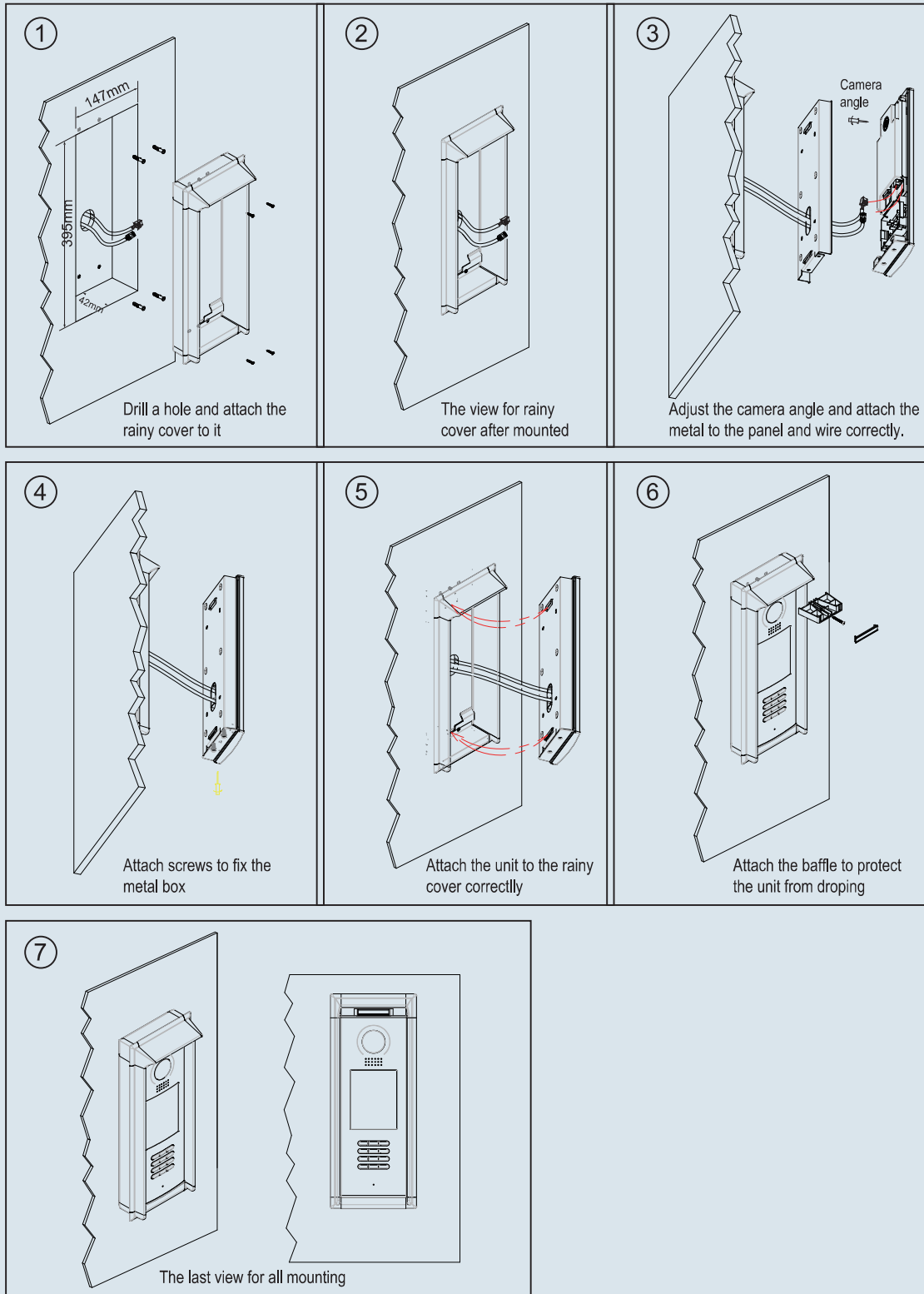


Terminal description



- * +12V: 12VDC power output.
- * LK-(GND): Power ground.
- * LK+(COM): Common contact of the Relay .
- * NO.:Normally open contact of the Relay (Can be set to be normally closed)
- * EB+: Exit button connection port.(Short EB+&EB- to unlock)
- * EB-: Exit button connection port.
- * JP-LK: For electronic lock safety type setting(refer to Door Station Lock Connections).
- * T/R-: USB-RS485 communication terminal negative.
- * T/R+: USB-RS485 communication terminal positive.
- * JWP(P+,P-): Power input for door station
- * JWB(OUT): BUS Output(Including Data, audio and video signal)
- * SD Card Slot: for updating the language and UI of door station

2. Door Station Mounting



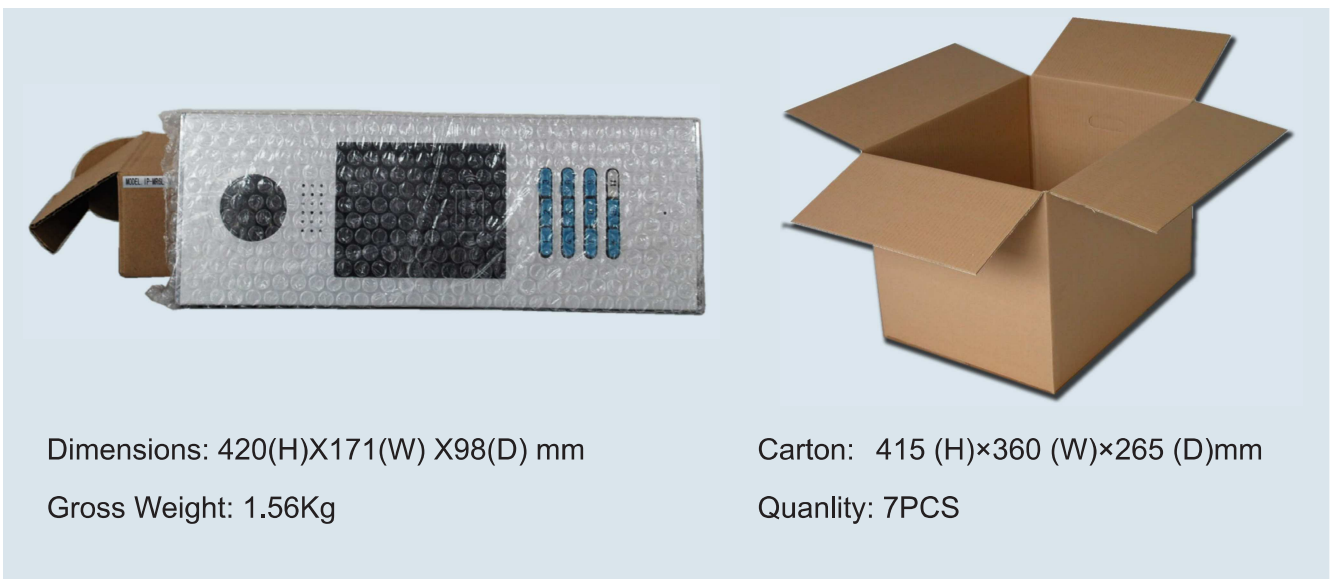
3. Specification

- * Power supply: DC24V ;
- * Camera Lens: 1/4 ACS 4T image sensor with DSP processor;
- * Power consumption: Standby 160W;Working status 450W;
- * Screen: 3.5 inch TFT ;
- * Resolution: 320(R, G, B)X240 pixels;
- * Video signal: CCIR/EIA Optional;
- * Wiring: CAT5;
- * Dimension: 350(H)×128(W)×46(D)mm

4. Ordering Information for Door Station

Model No.	Brief Description	Remark
IP-MR18/ID	Color CCD outdoor station with proximity access control	NSTC,PAL must be specified
RH18	Rainy cover for IP-MR18	

5. Packing Information



Dimensions: 420(H)X171(W) X98(D) mm
Gross Weight: 1.56Kg

Carton: 415 (H)×360 (W)×265 (D)mm
Quantity: 7PCS